

GAS FIREPLACE
INSERTS



www.regency-fire.com



GAS FIREPLACE
INSERTS

why choose Regency?

Beautiful Home Heating Solutions

Regency Fireplace Products was founded over 35 years ago with a mission to produce the finest fireplace products available anywhere. Regency has heating solutions for any room in any home.

Regency Quality

The Regency name means quality in every way. The product is created and built in a world class manufacturing facility focused on getting every detail just right. Represented across North America by a carefully selected professional retail network; you can rely on knowledgeable dealers and installers who understand how to make our products run safely and to the optimum performance.

Exceptional Fire

The essence of each and every Regency fireplace is the unique flame. With its dancing flames and glowing embers, realistic logs or Horizon burners with glistening firebeads or crystals, your Regency fire is spectacular.

Custom Styling

By researching current trends and styles we have created tasteful options and accessories that allow you to tailor the look of our fireplace to your home. Sleek and simple or grand and glamorous... the choice is yours.

Cut Home Heating Bills in Half!

Turn down your furnace and zone heat just the rooms you spend time in. This high efficiency heat will lower your home heating bills. The entire Regency Gas Fireplace Insert line produces consistent, controllable warmth even during power outages.

Lifetime Warranty

I am so confident in the quality workmanship, the finest materials and durable heavy-duty construction invested in each and every product, that I offer a Limited Lifetime Warranty. The Regency warranty is the best in the industry. We are absolutely sure that you will be as proud of your Regency Gas Fireplace Insert as we are – I guarantee it.



A handwritten signature in black ink that reads "Robert Little". The signature is written in a cursive, flowing style.

Robert Little
Founder & CEO

index

Liberty® Radiant Gas Inserts	
LRI6E, LRI4E	4
Regency Horizon® Radiant Gas Inserts	
HRI6E, HRI4E	6
Energy Gas Inserts	
E33	8
U31, U32	10
E21	12
Liberty Gas Fireplace Inserts	
L234	12
Design Choices	16
Technical Specs	18



Liberty® Radiant Gas Inserts

LRI6E & LRI4E



LRI6E shown with Vignette faceplate in Tuscan Sunset, integrated safety screen and rustic brown brick panels.



Low Profile Faceplate - Black
Rustic Brown Brick Panels



Low Profile Faceplate - Sunset Bronze
Red Brick Panels



Vignette Faceplate - Platinum (4-Sided)
Rustic Brown Brick Panels

Combining Performance and Style

With accents and trim options to suit your style and with Regency's renowned commitment to quality, the Liberty™ Radiant LRI4E and LRI6E gas inserts deliver high efficiency heat safely and reliably while making a design statement in your home. These inserts provide both radiant and convective heat, and allow that heat to be moved effortlessly throughout the room with an included circulating fan. Get great looks and comforting warmth even during power outages with these quality inserts by Regency.



LRI4E shown with Vignette faceplate and black door inlay, integrated safety screen and rustic brown brick panels.



Vignette Faceplate in Black, Door Inlay in Black Chrome, Rustic Brown Brick Panels



Vignette Faceplate in Black, Deco Inlay in Tuscan Sunset, Rustic Brown Brick Panels



Vignette Faceplate in Black, Craftsman Inlay in Black Chrome, Rustic Brown Brick Panels

Specifications (NG)	LRI4E	LRI6E
Input (BTU)	31,000	38,000
Turn down to (BTU)	22,000	25,000
EnerGuide Rating*	71.90%	73.72%
Efficiency (steady state)	84%	84%
Min. Fireplace Opening	LRI4E	LRI6E
Width (front)	30"	34"
Width (rear)	22"	25"
Height	20"	24"
Depth**	15-3/4"	16-3/4"

* For Canada only

** May require spacer

Standard Features

- Natural gas
- Safety screen
- High definition log set
- Ceramic burner with glowing ember bed
- Electronic ignition with SureFire™ switch
- Proflame remote control
- Variable speed blower for max heat distribution
- 6-tube heat exchanger for max efficiencies
- 30° angled flue for versatile installation
- Direct vent

Options

- Faceplates in Low Profile or Vignette design
- Vignette inlays in various designs & colors
- Faceplate spacer for shallow fireplace installations
- Regular or oversized backing plates
- Interior panels in Reflective Black Enamel, Old Town Red, Rustic Brown or Volcanic Black
- Mantel deflector for reduced clearances
- Hearth trim kits for raised hearth installations
- Regency flex venting
- Propane conversion kit

Regency Horizon® Radiant Gas Inserts

HRI6E & HRI4E



Regency Horizon HRI6E shown with low profile faceplate in black, integrated safety screen, black crystals and driftwood log set.



Low Profile Faceplate - Black
Driftwood Log Set



Low Profile Faceplate - Sunset Bronze
Copper Crystals



Vignette Faceplate in Black (4-sided), Craftsman Inlay in Black
Chrome, Obsidian Firebeads

Customizable Contemporary Design

Update the look of your home and add to the comfort of your family with the Horizon™ Radiant HRI4E and HRI6E gas inserts by Regency. Designed for contemporary spaces, these radiant inserts deliver heat efficiently and with captivating style with accent options you choose to get the look you want. Colored glass crystals or firebeads combine elegantly with spa stones or driftwood logs. Frame your firebed selection with a stylish Vignette or low profile faceplate for the ultimate customizable look.



HRI6E shown with Vignette faceplate in Tuscan Sunset, safety screen and volcanic stones.



Vignette Faceplate -Black Chrome
Driftwood Log Set



Vignette Faceplate -Platinum
Glacier Ice Firebeads



Vignette Faceplate -Tuscan Sunset
Volcanic Stones - Tan

Specifications (NG)	HRI4E	HRI6E
Input (BTU)	31,000	38,000
Turn down to (BTU)	21,500	30,000
EnerGuide Rating*	66.10%	73.72%
Efficiency (steady state)	84%	84%

Min. Fireplace Opening	HRI4E	HRI6E
Width (front)	30"	34"
Width (rear)	22"	25"
Height	20"	24"
Depth**	15-1/2"	16-3/4"

* For Canada only
** May require spacer

Standard Features

- Natural gas
- Safety screen
- Electronic ignition with SureFire™ switch
- Proflame remote control
- Variable speed blower for max heat distribution
- 6-tube heat exchanger for max efficiencies
- 30° angled flue for versatile installation
- Direct vent

Options

- Faceplates in Low Profile or Vignette design
- Faceplate spacer for shallow fireplace installations
- Regular or oversized backing plates
- Crystals in various colors
- Firebeads in various colors
- Volcanic Stones, Spa Stones, or accent River Pebbles
- Driftwood log set
- Reflective Black Enamel Interior Panels
- Hearth trim kits for raised hearth installations
- Mantel deflector for reduced clearances
- Regency flex venting
- Propane conversion kit

Energy Large Gas Insert

E33



E33 shown with low profile faceplate, integrated safety screen and rustic brown brick panels.

Turn Your Drafty Fireplace Into an Attractive Heat Source

With 38,000 BTU of comforting, controllable heat and a full, yellow fire, this insert is guaranteed to warm your room quickly and consistently. This Direct Vent Gas Insert is perfect for airtight homes or basements because the sealed firebox doesn't use internal air. All Regency gas inserts can be enjoyed from the comfort of your sofa with the Proflame remote control or wall thermostat.



E33 shown with Vignette faceplate in black, door inlay in Tuscan Sunset, integrated safety screen and rustic brown brick panels.



Vignette Faceplate - Black



Vignette Faceplate - Black
Vignette Door Inlay - Black Chrome



Vignette Faceplate - Black
Vignette Door Inlay - Black

Specifications	Natural Gas	Propane
Input (BTU)	38,000	35,500
Turn down to (BTU)	20,000	19,000
EnerGuide Rating*	60.79%	61.52%
Efficiency (steady state)	83%	84%

Min. Fireplace Opening	
Width (front)	32-1/4"
Width (rear)	25"
Height	24-3/16"
Depth**	16-3/4"

* for Canada only

** using spacer

For detailed specifications please see pages 18-19.

Standard Features

- Natural gas
- Safety screen
- Proflame remote control
- Log set with glowing embers
- Flame height adjustment control
- Ceramic safety glass
- Variable speed blower
- 30° angled flue for versatile installations
- Standing pilot system
- Direct spark ignition
- Installation spacer
- Limited lifetime warranty

Options

- Faceplates in Low Profile or Vignette design
- Vignette door inlay in various colors
- Custom backing plate
- Brick panels
- Wall thermostat
- Regency flex venting
- Propane conversion kit

Energy Medium Gas Inserts U31/U32



Regency U31 gas insert shown with brick panels and low profile faceplate. Please see pg.18 for safety screen design.

Customize to Suit Your Style

This Regency insert is a complete fireplace system that can turn your existing wood fireplace into a high efficiency, clean burning gas heater. Enjoy peace of mind even during power outages; all Regency gas inserts can operate without electricity.



U32 shown with low profile faceplate, integrated safety screen and rustic brown brick panels

Specifications (NG)	U32	U31
Input (BTU)	30,000	30,000
Turn down to (BTU)	15,300	20,600
EnerGuide Rating*	57.17%	52.9%
Efficiency (steady state)	76%	76%
Min. Fireplace Opening	U32	U31
Width (front)	26-1/2"	26-1/2"
Width (rear)	22-1/2"	22-1/2"
Height	22"	21"
Depth	14"	15"

* For Canada only

For detailed specifications please see pages 18-19.

Standard Features

- Natural gas
- Safety screen
- Proflame remote control
- Log set with glowing embers
- Flame height adjustment control
- Ceramic safety glass
- Variable speed blower
- Standing pilot system
- Direct spark ignition
- Direct Vent (U32)
- B Vent (U31)
- Installation spacer
- Limited lifetime warranty

Options

- Low profile faceplates
- Custom backing plate
- Contour faceplate (U31)
- Black louvers (U31)
- Brick panels
- Wall thermostat
- Regency flex venting
- Propane conversion kit

Small Gas Inserts

Liberty® L234 & Energy E21



L234 gas insert featuring a low profile faceplate, integrated safety screen and red bricks.

Compact Size for Tighter Openings

Designed to fit smaller openings in existing masonry fireplaces and inefficient steel fireplaces, this small gas insert delivers efficient heat with stylish good looks. Highly realistic logs make this quality small gas insert an excellent choice for small to medium sizes spaces.



E21 shown with low profile faceplate, integrated safety screen and brick panels.

Specifications (NG)	L234	E21
Input (BTU)	23,500	23,500
Turn down to (BTU)	12,500	11,750
EnerGuide Rating*	63.3%	50.60%
Efficiency (steady state)	74%	77%

Min. Fireplace Opening	L234	E21
Width (front)	25"	26-1/2"
Width (rear)	16"	18"
Height	17"	17-3/4"
Depth**	14"	10-1/3"

* for Canada only

** using spacer

For detailed specifications please see pages 18-19.

Standard Features

- Natural gas
- Safety screen
- Proflame remote control
- Ceramic safety glass
- Log set with glowing embers
- 30° angled flue for versatile installation (L234 only)
- Variable speed blower
- Installation spacer
- Flame height adjustment control
- Standing pilot system
- Direct spark ignition
- Direct vent (L234)
- B-vent (E21)
- Limited lifetime warranty

Options

- Low profile faceplate
- Custom backing plate
- Adjustable hearth riser
- Brick panels
- Regency flex venting
- Basic or programmable thermostat
- 3" to 2" air intake reducer (L234 only)
- 4" to 3" flue collar (E21)
- Propane conversion kit

Maximizing Comfort and Efficiency

Regency Fireplace Inserts deliver controllable heat solutions combining the latest in radiant & convection heat technology and innovative features.

- ☑ Adjustable flame/heat control with Proflame Remote Control
- ☑ Heat radiating ceramic glass for maximum radiant heat
- ☑ Safety screen
- ☑ Blower
- ☑ **SureFire™ Electronic Ignition** switch with battery backup features a fuel saving intermittent pilot ignition conserving energy when not in use.
- ☑ **Power's Out, Heat's On.** Never worry about being cold in a power outage again! All Regency gas fireplaces operate without electricity. Enjoy peace of mind all winter long.



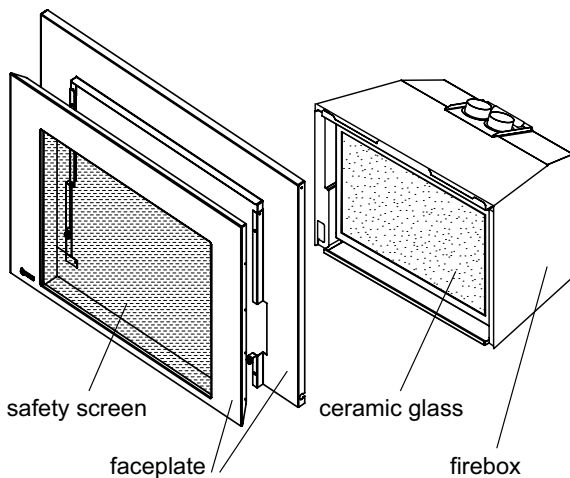
Proflame Remote Control

Proflame Remote Control - included

Create optimal comfort with ease and convenience at the touch of a button with a Regency Proflame Remote Control. Our user friendly programmable controls can be set, adjusted and programmed for your fireplace to come on at the temperature you want when you want it.

Feature	Description	Proflame Remotes		
		GT	GTM	GTMF
On/Off		✓	✓	✓
Child lock		✓	✓	✓
LCD Backlit Screen		✓	✓	✓
Temperature display	°F / °C	✓	✓	✓
Thermostat	one setting (all days)	✓	✓	✓
Smart thermostat*		✓	✓	✓
Flame adjustment	(6 levels)	-	✓	✓
Fan control**	(6 levels)	-	-	✓

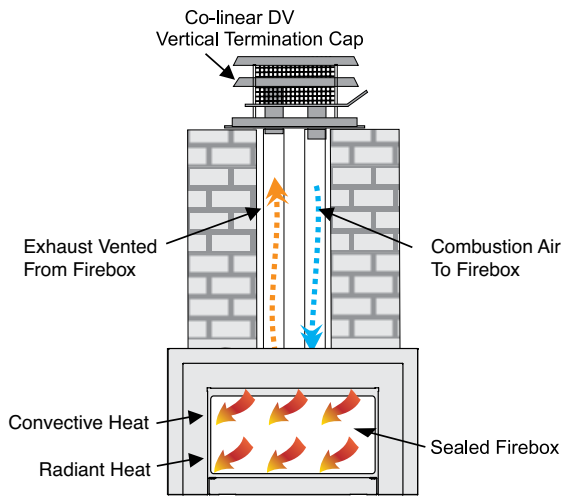
* Smart Thermostat - Rather than a thermostat that simply turns your fireplace on and off, the Smart Control function allows you to set your desired room temperature and as the room reaches your personal setting the flame intensity and heat will gradually decrease – keeping the ambiance of your Regency fire on with less heat output with the option to turn off at any time.



Safety Screen - included

Regency has integrated a custom designed safety screen into each faceplate design that meets or exceeds current North American safety legislation.

*Low profile faceplate shown



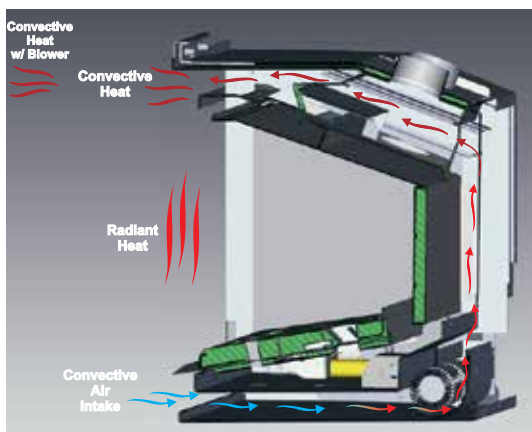
Direct Vent Technology

A Regency® Gas Insert is a specially engineered, sealed fireplace that slips into your existing masonry or pre-fab fireplace to create a high efficiency heating system with a beautiful fire. The airtight firebox means that you will keep all of the comforting heat generated from your Regency inside your home. Even when your fireplace is turned off, you will not lose heat up the chimney.

All the air used by the fireplace for combustion comes from outside the home and is vented to outside the home maintaining indoor air quality.

SureFire™ Electronic Ignition

The SureFire system offers an electronic ignition system which saves you money by ensuring the pilot light is only turned on when the fireplace needs to be ignited. This Electronic Ignition System converts to Standing Pilot at the flick of a switch; making it ideal during the winter season if you live in a colder climate.



Blower

Spread the warmth

Extreme Efficiency

The precision engineered heat exchanger systems dramatically increase the overall heating efficiency of these Regency gas inserts. The cold air from your room passes through the pre-heated heat exchanger system which is then re-distributed back into your room as comforting warm air (also known as convection heat).

Intense Radiant Heat

Not only do these gas inserts include the latest innovations in fireplace technology and efficiencies, they also generate a large amount of radiant heat from the flames and glow of the fire package. The heat from the fire radiates through the ceramic glass and transfers that warmth to you, providing the perfect combination of radiant and convective heat distribution.

Variable Speed Blower to Maximize Efficiency

Regency blowers are a standard feature with all gas inserts. A blower will let you enjoy the warmth of your fireplace from any corner of your living space. Our quiet blowers increase the efficiency of your fireplace by pushing the heat produced by your fireplace forward and distributing it further and evenly into the room.

Design Choices



Vignette Door Inlay



Vignette Craftsman Inlay



Vignette Deco Inlay

Vignette Faceplate & Inlay Finishes



Black



Platinum*

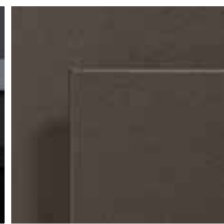
* Not available for inlays



Tuscan Sunset



Black Chrome



Sunset Bronze



Black

Low Profile Faceplate Finishes

Inner Panels



Standard - Old Town Red



Standard - Rustic Brown



Standard - Volcanic Black



Black Enamel reflective panels

Firebed Options



Copper crystals



Starfire crystals



Black reflective crystals



Driftwood log set



Obsidian Firebeads



Amber Firebeads



Glacier Ice Firebeads



Garnet Luster Firebeads



Volcanic stones - Gray



Volcanic stones - Tan



Ceramic spa stones



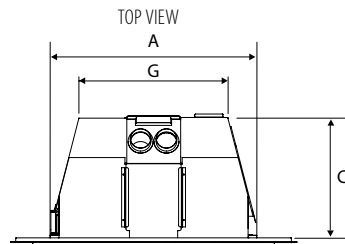
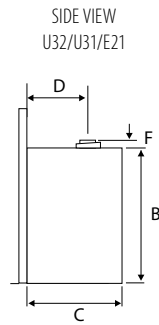
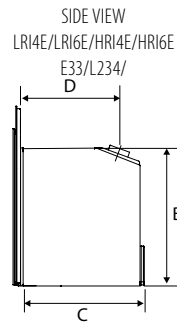
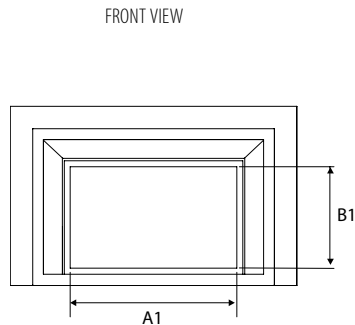
Natural river accent pebbles

Accessories - at a glance			LRI6E	HRI6E	LRI4E	HRI4E	E33	U32	U31	E21	L234
Horizon firebed	Crystals- various colors		-	★	-	★	-	-	-	-	-
	Firebeads in various colors		-	★	-	★	-	-	-	-	-
	Ceramic spa stones		-	★	-	★	-	-	-	-	-
	Volcanic stones		-	★	-	★	-	-	-	-	-
	Driftwood log set		-	★	-	★	-	-	-	-	-
Vignette Faceplates	Vignette - 3 sided	Black	★	★	★	★	★	-	-	-	-
		Black Chrome	★	★	★	★	-	-	-	-	-
		Platinum	★	★	★	★	-	-	-	-	-
		Tuscan Sunset	★	★	★	★	-	-	-	-	-
	Vignette - 4 sided	Black	★	★	★	★	-	-	-	-	-
		Black Chrome	★	★	★	★	-	-	-	-	-
		Platinum	★	★	★	★	-	-	-	-	-
		Tuscan Sunset	★	★	★	★	-	-	-	-	-
Vignette inlays	Door inlay	Black	★	-	★	-	★	-	-	-	-
		Black Chrome	★	-	★	-	★	-	-	-	-
		Tuscan Sunset	★	-	★	-	★	-	-	-	-
	Deco inlay	Black	★	-	★	-	-	-	-	-	-
		Black Chrome	★	-	★	-	-	-	-	-	-
		Tuscan Sunset	★	-	★	-	-	-	-	-	-
	Craftsman inlay	Black	★	-	★	-	-	-	-	-	-
		Black Chrome	★	-	★	-	-	-	-	-	-
		Tuscan Sunset	★	-	★	-	-	-	-	-	-
Low profile Faceplates	Low profile - 3 sided	Black	★	★	★	★	★	★	★	★	★
		Sunset Bronze	★	★	★	★	-	-	-	-	-
	Low profile - 3 sided - oversize	Black	★	★	★	★	-	-	-	-	-
		Sunset Bronze	★	★	★	★	-	-	-	-	-
	Low profile - 3 sided - custom	Black	★	★	★	★	★	★	★	★	★
Low profile - 4 sided - custom	Black	★	★	★	★	-	-	-	-	-	
Contour faceplate	Black		-	-	-	-	-	★	-	-	
Louvers	Black		-	-	-	-	-	★	-	-	
Inner Panels	Bricks	Standard - Rustic Brown	★	-	★	-	★	★	★	★	★
		Standard - Old Town Red	★	-	★	-	★	★	★	★	★
		Volcanic Black	★	-	★	-	-	-	-	-	-
	Reflective	Black enamel		★	★	★	★	-	-	-	-
Safety Screen			✓	✓	✓	✓	✓	✓	✓	✓	
Spacer			★	★	★	★	✓	✓	-	✓	✓
Hearth Trim (for sizes see page 19)			★	★	★	★	★	★	★	★	★
Variable speed blower			✓	✓	✓	✓	✓	✓	✓	✓	✓
Wall Thermostat			★	★	★	★	★	★	★	★	★
Remote Control	Proflame GT		-	-	-	-	-	-	✓	-	-
	Proflame GTM		-	-	-	-	✓	✓	★	✓	✓
	Proflame GTMF		✓	✓	✓	✓	-	-	-	-	-
Turn down flame modulator (for use with Proflame GTM/GTMF remotes)			✓	✓	✓	✓	✓	✓	-	✓	✓
Direct Vent			✓	✓	✓	✓	✓	✓	-	-	✓
B-Vent			-	-	-	-	-	-	✓	✓	-
Surefire Electronic Ignition			✓	✓	✓	✓	-	-	-	-	-
Propane conversion kit			★	★	★	★	★	★	★	★	★

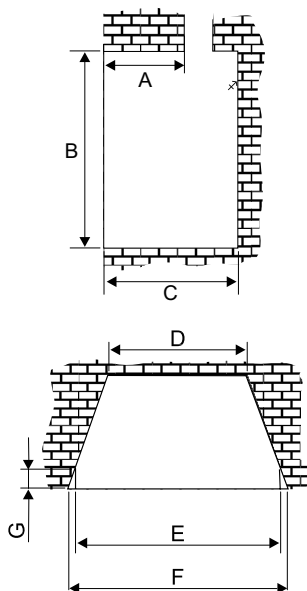
- Not available
- ✓ Standard
- ★ Optional

Specifications

Specifications		HRI6E	LRI6E	E33	HRI4E	LRI4E	U32	U31	E21	L234
Input (BTU)	Natural Gas	38,000	38,000	38,000	31,000	31,000	30,000	30,000	23,500	23,500
	Propane	38,000	38,000	35,500	31,000	31,000	30,000	28,000	22,500	21,500
Turn Down to (BTU)	Natural Gas	25,000	25,000	20,000	22,000	22,000	15,300	20,600	11,750	12,500
	Propane	30,000	30,000	19,000	26,000	26,000	15,000	22,000	11,250	11,000
EnerGuide Rating (Canada only)	Natural Gas	73.72%	73.72%	60.79%	66.10%	71.90%	57.17%	52.90%	50.60%	63.30%
	Propane	75.69%	75.69%	61.52%	70.10%	75.30%	57.17%	48.07%	53.48%	64.50%
Efficiency (steady state)	Natural Gas	84%	84%	83%	84%	84%	76%	76%	77%	74%
	Propane	84%	84%	84%	84%	84%	77%	77%	78%	74%



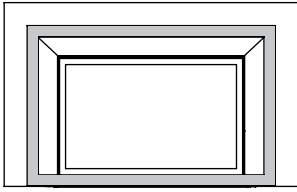
Dimensions	A	B	A1	B1	C	D	F	G
HRI6E	33-15/16"	23-7/8"	28-3/16"	18-5/16"	19-3/8"	12-7/8"	-	24-1/2"
LRI6E	33-15/16"	23-7/8"	28-3/16"	18-5/16"	19-3/8"	12-7/8"	-	24-1/2"
E33	32-1/4"	23-3/4"	30-3/8"	14-7/8"	16-1/4"	11-1/16"	-	24-1/2"
HRI4E	30"	20"	24-3/16"	14-3/4"	15-3/4"	14-7/16"	-	21-11/16"
LRI4E	30"	20"	24-3/16"	14-3/4"	15-3/4"	14-7/16"	-	21-11/16"
U32	26-1/4"	20"	24-1/4"	11-3/8"	13-5/16"	10-5/16"	1-1/16"	22-5/16"
U31	27-7/8"	20-1/4"	24-1/2"	12-5/8"	15"	10-1/8"	5/8"	22-1/2"
E21	26"	17-1/2"	24-1/2"	10-7/8"	13-1/4"	10-3/4"	1"	17-1/2"
L234	24-3/4"	16-7/8"	17-3/4"	12-1/2"	13"	11-3/4"	-	14-3/4"



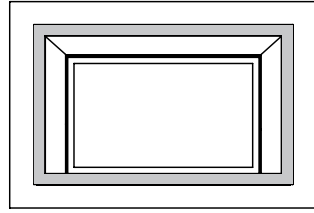
Minimum Fireplace Openings		Height	Depth	Width (rear)	Width (front)			
		A	B	C	D	E	F	G
HRI6E	Vignette faceplate	12-1/2"	24"	19-1/2"	25"	34"	37"	4-3/4"
	Vignette faceplate & spacer	10"	24"	16-3/4"	25"	34"	35-3/8"	2-1/4"
	Low profile faceplate	10"	24"	16-3/4"	25"	34"	35-3/8"	2-1/4"
LRI6E	Vignette faceplate	12-1/2"	24"	19-1/2"	25"	34"	37"	4-3/4"
	Vignette faceplate & spacer	10"	24"	16-3/4"	25"	34"	35-3/8"	2-1/4"
	Low profile faceplate	10"	24"	16-3/4"	25"	34"	35-3/8"	2-1/4"
E33	Low profile faceplate	9-1/4"	25-1/2"	18"	25"	32-1/4"	32-1/4"	N/A
	Low profile faceplate & spacer	8"	24-3/16"	16-3/4"	25"	32-1/4"	32-1/4"	N/A
HRI4E	Vignette faceplate	10"	20"	18"	22"	30"	35-5/8"	4-3/8"
	Vignette faceplate & spacer	12-1/4"	20"	15-3/4"	22"	30"	31-1/4"	2-1/8"
	Low profile faceplate	10"	20"	15-3/4"	22"	30"	31-1/4"	2-1/8"
LRI4E	Vignette faceplate	10"	20"	18"	22"	30"	35-5/8"	4-3/8"
	Vignette faceplate & spacer	12-1/4"	20"	15-3/4"	22"	30"	31-1/4"	2-1/8"
	Low profile faceplate	10"	20"	15-3/4"	22"	30"	31-1/4"	2-1/8"
U32	Low profile faceplate	9-3/4"	22"	15-5/8"	22-1/2"	29-3/4"	29-3/4"	N/A
	Low profile faceplate & spacer	8-1/8"	22"	14"	22-1/2"	26-1/2"	26-1/2"	N/A
U31	Low profile faceplate	8-1/8"	22"	14"	22-1/2"	26-1/2"	26-1/2"	N/A
E21	low profile faceplate	9-1/2"	18-5/8"	17"	18"	23-3/8"	23-3/4"	3/4"
L234	low profile faceplate	N/A	17"	14"	16"	25"	25"	N/A

A - Max. lintel bar depth
G - Front depth to taper

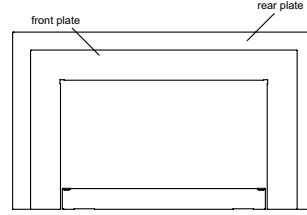
Vignette faceplate



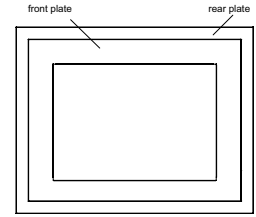
Vignette faceplate (4-sided)



Low profile faceplate



Low profile faceplate (4-sided)



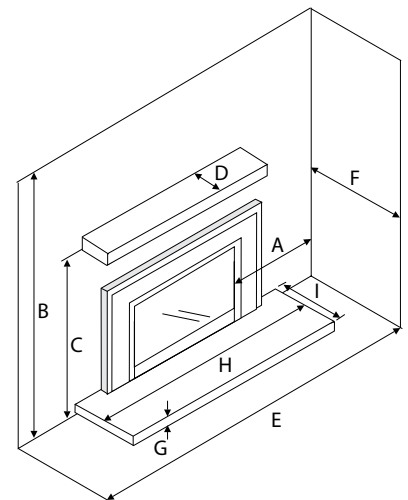
Faceplates	HRI6E		LRI6E		E33		HRI4E		LRI4E		U32/U31		E21		L234		
	Width	Height	Width	Height	Width	Height	Width	Height	Width	Height	Width	Height	Width	Height	Width	Height	
Vignette (3-sided)	47-3/8"	30-9/16"	47-3/8"	30-9/16"	46-1/2"	28-3/4"	41-5/8"	26-1/8"	41-9/16"	26-1/16"	--	--	--	--	--	--	
Vignette (4-sided)	47-3/8"	34-1/8"	47-3/8"	34-1/8"	46-1/2"	30-7/8"	41-5/8"	29-1/4"	41-9/16"	29-1/4"	--	--	--	--	--	--	
Custom backing plate (3-sided Vignette only)	custom order only											--	--	--	--	--	--
Spacer (3-sided Vignette only)	48-3/8"	31"	48-3/8"	31"	45"	28"	42-5/8"	26-1/2"	42-5/8"	26-1/2"	--	--	--	--	--	--	
Low profile (3-sided)	front plate	40-7/8"	27-3/8"	40-7/8"	27-3/8"	42-1/2"	26-3/4"	35-7/8"	23-1/8"	35-7/8"	23-1/8"	35-15/16"	21-1/2"	35-3/8"	20"	29-1/8"	21"
	rear plate	45-7/16"	30-3/16"	45-7/16"	30-3/16"	46-1/2"	28-11/16"	39-15/16"	25-13/16"	39-15/16"	25-7/8"	40-3/4"	23-7/8"	40-1/8"	22-11/16"	32-7/8"	22-7/8"
Low profile (3-sided oversize)	front plate	40-7/8"	27-3/8"	40-7/8"	27-3/8"	42-1/2"	26-3/4"	35-7/8"	23-1/8"	35-7/8"	23-1/8"	36"	21-1/2"	35-5/8"	20"	--	--
	rear plate	47-3/8"	30-9/16"	47-3/8"	30-9/16"	49-9/16"	33-1/8"	44"	30"	44"	30"	44-1/8"	28-1/8"	44-1/8"	25-3/4"	--	--
Low profile (3-sided) custom	front plate	40-7/8"	27-3/8"	40-7/8"	27-3/8"	--	--	35-7/8"	23-1/8"	35-7/8"	23-1/8"	--	--	--	--	--	--
	rear plate	custom order only															
Low profile (4-sided) custom	front plate	40-13/16"	31-5/16"	40-13/16"	31-5/16"	--	--	35-13/16"	26-15/16"	35-13/16"	26-15/16"	--	--	--	--	--	--
	rear plate	custom order only															
Hearth Trim - sizes	Please see manual for details.																

Minimum Clearance to Combustibles		HRI6E	LRI6E	E33	HRI4E	LRI4E	U32	U31	E21	L234
A	Side Wall	12"	12"	8"	6"	6"	10"	10"	9"	8"
B	Ceiling	60"	60"	72"	60"	60"	67-1/2"	66-1/2"	53-1/2"	73"
C	Mantel Height (min.)	40"	40"	40"	35"	35"	33"	32-1/2"	31-1/2"	38"
	(with optional deflector)	36"	36"	N/A	32"	32"	N/A	N/A	N/A	N/A
D	Mantel Depth (min.)	2"	2"	3-1/2"	1"	1"	3-1/2"	3-1/2"	3-1/2"	1"
	(with optional deflector)	1"	1"	N/A	1"	1"	N/A	N/A	N/A	N/A
E	Alcove Width	56"	56"	76"	54"	54"	48"	48"	48"	60"
F	Max. Alcove Depth	36"	36"	36"	36"	36"	36"	36"	36"	36"

Non-Combustible Hearth Requirement

G	Hearth Height	1-3/8"	1-3/8"	1-1/4"	1/2"	1/2"	0"	0"	0"	1-1/2"
H	Hearth Width	44"	44"	45-1/2"	40"	40"	0"	0"	0"	28"
I	Hearth Depth	14"	14"	13"	14"	14"	0"	0"	0"	12"

Note: Before installing please refer to the product manual.



NOTE: All product specifications are subject to change without notice. Before installing refer to the relevant product manual for full and up to date information.

You deserve a fireplace makeover

BEFORE



Problem:

- ◆ I have a drafty wood or gas fireplace.
- ◆ I have inefficient gas logs.
- ◆ I need an updated fireplace style.

AFTER



Solution:

- ◆ Choose the gas fireplace insert that fits your opening and install.
- ◆ Voila! Updated fire, updated fireplace style, and much lower heating bill.

fireplace selection worksheet

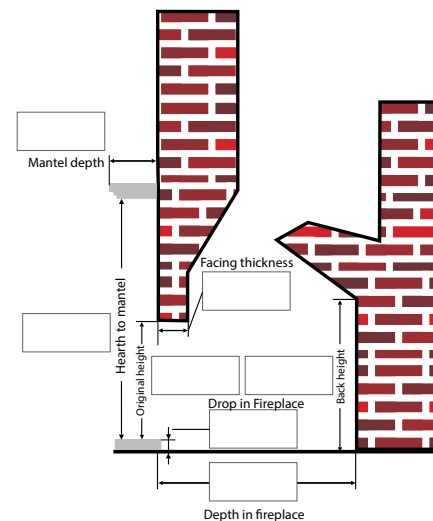
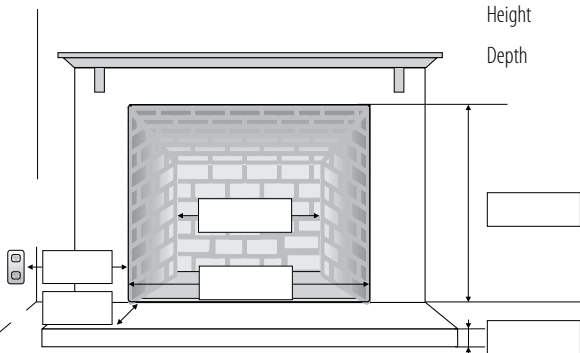
We want you to enjoy your beautiful Regency fireplace for years to come. To help you figure out which product is just right for your home, fill in the following worksheet. Once complete, visit your nearest Regency dealer. Your professional Regency dealer will assess your needs - including local building codes - and install your Regency.

1. BASIC PRODUCT FUNCTION QUESTIONS

- a. I would like my insert to provide me with: Supplemental heating Priority heating
- b. The room/rooms I would like to heat are: _____ Square feet
- c. My fuel source will be: Natural gas Propane
- Has gas been piped to the proposed fireplace area? Yes No

2. FIREPLACE PRODUCT TYPE AND MEASUREMENTS

- a. I am: Installing a new fireplace Installing into an existing fireplace
- b. Fill in the following measurements:
- Ceiling Height: _____
- Location in the room: _____
- Flooring material: _____
- Wall material: _____
- Ceiling material: _____
- c. What is the:
- Width (front) _____
- Width (back) _____
- Height _____
- d. Fireplace opening dimensions
- Depth _____



www.regency-fire.com

your Regency dealer

